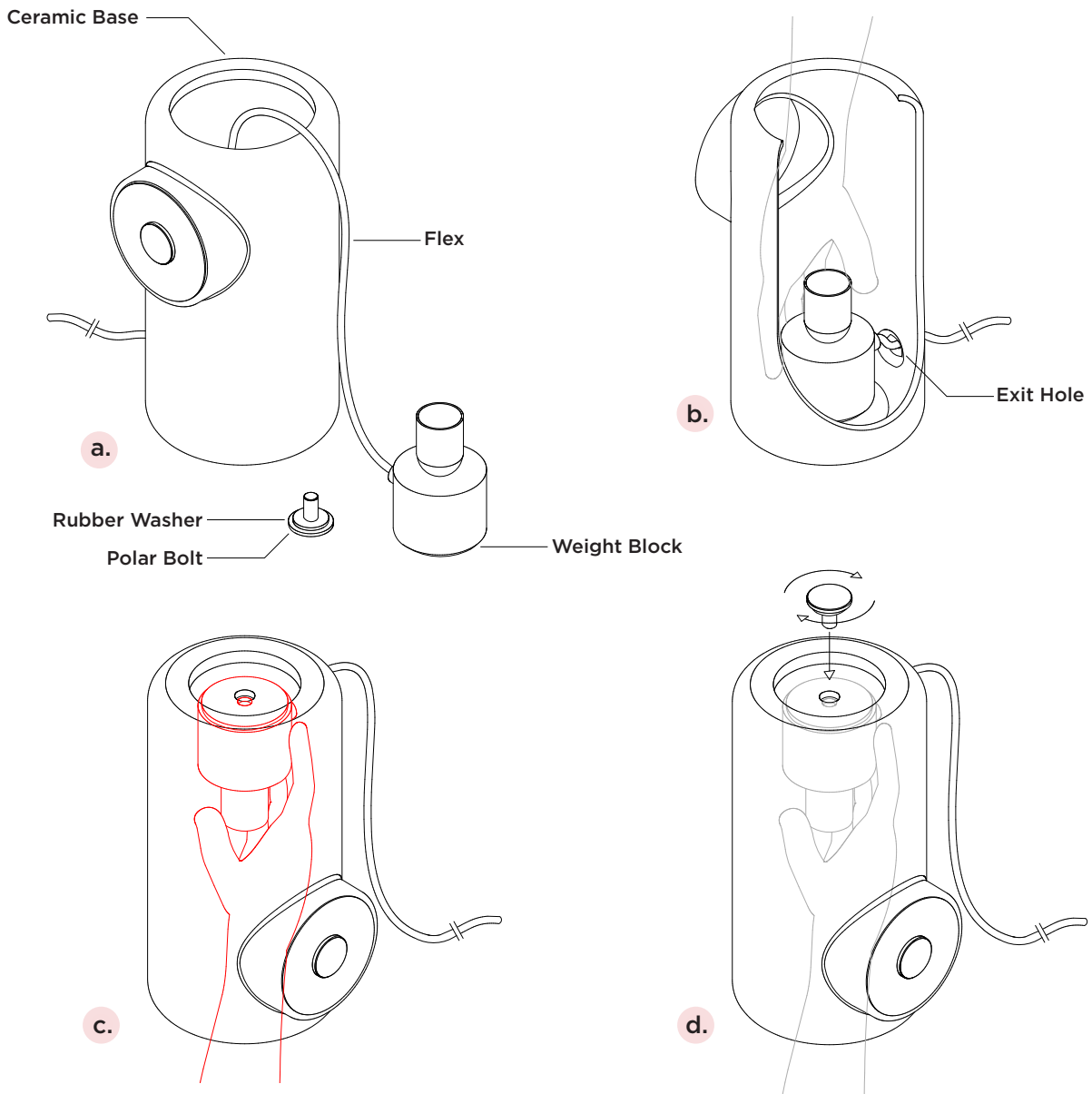


# Polar Desk Lamp

## Installation Guide



### 1 - Base Assembly

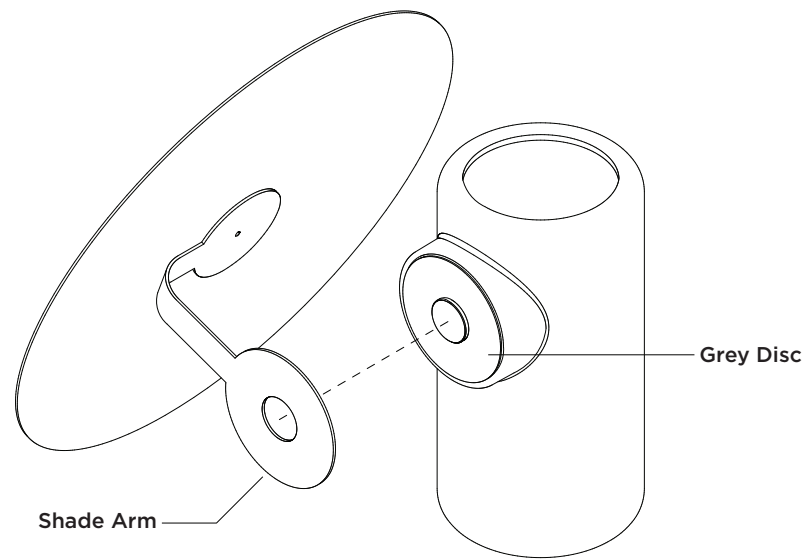
All table lamps are to be handled with care throughout unboxing and setup.

During these stages please ensure that your hands are clean and the components are handled with care.

- Unbox and check all components prior to assembly/installation. Unwrap each component and place on a clean and flat table top. Unscrew the **Polar Bolt** from the **Weight Block**.
- With one hand position the **Weight Block** inside the **Ceramic Base** whilst feeding the **Flex** through the ceramic exit hole. Refer to Diagram 2 for further details.
- Hold the **Weight Block** upside down and allow the **Ceramic Base** to rest on top of the **Weight Block**. Ensure the flex is feeding directly out of the **Ceramic Base**.
- Continue to hold the **Weight Block** in one hand while aligning the holes of the **Weight Block** and **Ceramic Base**. Make sure the small **Rubber Washer** is fastened to the **Polar Bolt**. With your other hand fasten the **Polar Bolt** through the ceramic and into the **Weight Block**. Tighten securely with your hand (**no tools required**).

# Polar Desk Lamp

## Installation Guide



## 2 - Shade Installation

- a. Once assembly of the Weight Block is complete you are now ready to install the shade.
- b. Clean the contact face of the **Shade Arm** and the **Grey Disc** with a damp cloth, wipe dry with a clean cloth.
- c. Place the base of the lamp on a table top and carefully align the shade to the base, gently allow the shade arm to locate around the gold bolt and snap into place. Please secure the base with your hand during this step. Refer to the diagram above for further details.
- d. This light is supplied with a 5.5w LED globe and AS/NZS Plug. Please note that for all international orders (excluding New Zealand) you will need to source a suitable power adapter and the globe is not supplied, please source a globe with similar specifications.

## Safety Precautions

- Please refer to the above instructions for the setup of the fixture.
- During Shade Installation please be careful not to pinch your fingers between the components.
- The adjustable mechanism can be adversely affected by oils transferred through handling. If the shade slides unintentionally, please remove and clean the contact faces with a damp cloth and wipe dry with a clean cloth.
- Please do not modify or adjust the lamp in a way that is not clearly stated or intended.
- This product is intended solely for indoor use.
- When switching out light globes or cleaning the product please ensure the power is OFF and un-plugged, and the globe is not hot.
- Ross Gardam™ is not responsible for any damages caused by not following the provided instructions.

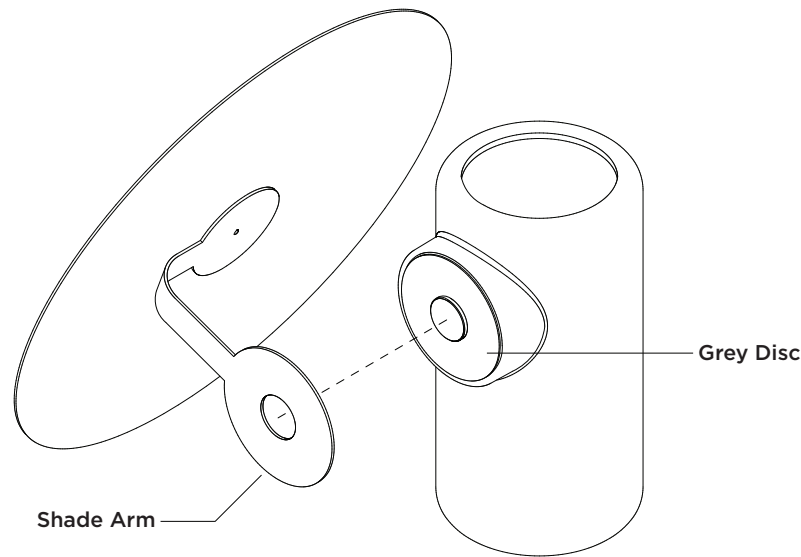
For further information such as care and maintenance, product overviews and disclaimers, please visit our website. Please don't hesitate to contact us directly if you have any questions and enquiries at [support@rossgardam.com.au](mailto:support@rossgardam.com.au)



60W MAX.,A.C.,50Hz, 220-240V

# Polar Desk Lamp

## Installation Guide



### Instructions

All table lamps are to be handled with care through unboxing and setup.

1. Unbox and check all components prior to assembly/installation.
2. Clean the contact points of the shade arm and the grey disc with a damp cloth, wipe dry with a clean cloth.
3. Place the base of the lamp on a table top and carefully position the shade to the base, gently allow the shade arm to locate around the gold bolt through the magnetic force. Please secure the base during this step. Refer to the diagram above for further details.
4. This light is supplied with a 5.5w LED globe. If you are substituting the globe please select a similar globe specification. Please note that for all international orders (excluding New Zealand) the globe is not supplied, please source a globe with similar specifications.

### Safety Precautions

- Please refer to the above instructions for the setup of the fixture.
- The adjustable mechanism can be adversely affected by oils transferred through handling. If the shade unintentionally slides, please remove and clean the contact points with a damp cloth, wipe dry with a clean cloth.
- Please do not modify or adjust the lamp in a way that is not clearly stated or intended.
- All lighting products are intended solely for indoor use.
- When switching out light globes or cleaning the product please ensure the power is OFF and the globe is not hot.
- Ross Gardam™ is not responsible for any damages caused by not following the provided instructions.

For further information such as care and maintenance, product overviews and disclaimers, please visit our website. Please don't hesitate to contact us directly if you have any questions and enquiries at [support@rossgardam.com.au](mailto:support@rossgardam.com.au)



60W MAX.,A.C.,50Hz, 220-240V