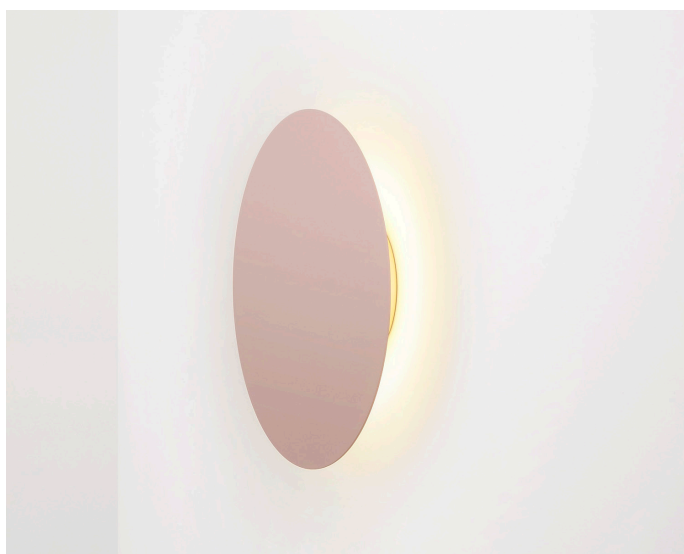


Polar

Wall Light

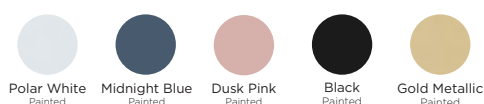


Description

A circular motif is used throughout Polar defining its minimal operative form. The product utilises a unique hinge joint allowing the disc to pivot up or down, softly directing the light output. Polar's anodised gold wall canopy provides a beautiful base for the light to mount onto the wall and houses the 13W dimmable LED module.

The wall light is available in a pivot or fixed variation. The disk is available in two sizes (Ø300 and Ø450mm) and various finish options in a range of painted options; White, Midnight Blue, Dusk Pink, Black and Gold Metallic.

Available Finishes



Technical

Material	Anodised aluminium and painted aluminium
LED	240v - 11W LED, 1080 lm, 2900K warm white, dimmable 120v - 11W LED, 1080 lm, 2900K warm white, dimmable LED lifespan = 15,000 hrs
Control	Phase Dimming compatible
IP Rating	IP20 - for indoor use only

Product Codes SKU

eg. PS.V1.DBK= Polar Wall ø300 in Dusk Pink

PS.V1.XXX	Polar Wall Light Ø300 White (PWH), Dusk Pink (DBK), Midnight Blue (MBL), Black (BLK) and Gold Metallic (GLM)
PS.V1.XXX-F	Fixed Ø300 variation
PL.V1.XXX	Polar Wall Light Ø450 White (PWH), Dusk Pink (DBK), Midnight Blue (MBL), Black (BLK) and Gold Metallic (GLM)
PL.V1.XXX-F	Fixed Ø450 variation

Dimensions Ø300x53mm / Ø11.8"x2"

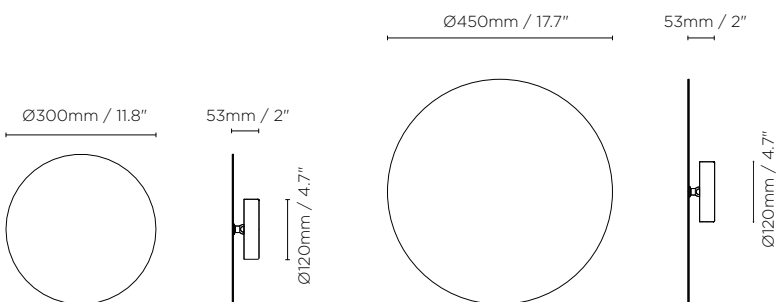
Ø450x53mm / Ø17.7"x2"

Weight 1kg / 2.2lb

Packaging 35x35x6cm / 50x50x6cm
17.8x17.8x2.4" / 19.7x19.7x2.4"

Packaging Weight 1kg / 2.2lb

Dimensions



Polar Wall Light 300

Polar Wall Light 450